

<b>Product Certificate Number</b>	<b>20788-2-CER</b>	
<b>Applicant</b>	Fronius Straße 1, 4600, Wels-Thalheim, Austria	
<b>Series</b>	Tauro Eco	
<b>Models</b>	Tauro Eco 50-3-P Tauro Eco 50-3-D Tauro Eco 99-3-P	Tauro Eco 99-3-D Tauro Eco 100-3-P Tauro Eco 100-3-D
<b>Type of generating unit</b>	Three-Phase Solar Inverter	
<b>Technical Data</b>	See page 2 and 3	
<b>Software version</b>	1.13.6-1	
<b>Standard</b>	<b>UNE 217002: Octubre 2020.</b> Inversores para conexión a la red de distribución. Ensayos de los requisitos de inyección de corriente continua a la red, generación de sobretensiones y sistema de detección de funcionamiento en isla.	
<p>Having assessed the report number: 20788-2-TR performed by CERE (Accredited Laboratory No. 5314.01) and based on the requirements of the EN ISO/IEC 17025: 2017.</p> <p>The above-mentioned generating unit complies with the requirements of the:</p> <p><b>UNE 217002: Octubre 2020.</b> Inversores para conexión a la red de distribución. Ensayos de los requisitos de inyección de corriente continua a la red, generación de sobretensiones y sistema de detección de funcionamiento en isla.</p> <p>This certification is according the CERE internal process PET-CERE-09 Rev 30 based on the requirements of the EN ISO/IEC 17065:2012. For this certification process the conformity assessment activities were based on:</p> <ul style="list-style-type: none"> <li>• Testing of production samples selected by CERE.</li> <li>• Audit of quality system according ISO 9001 with certificate number: 00018945 issued by a certification body accredited according EN ISO/IEC 17021.</li> <li>• Inspection of the manufacturing process.</li> </ul>		
<p>Madrid, May 21, 2021. This certificate is valid until May 21, 2024.</p> <p style="text-align: right;">Miguel Martínez Lavin Certification Manager</p>		

## Technical data

Model	Tauro Eco 50-3-P	Tauro Eco 100-3-P
<b>Input data</b>		
Maximum current (A)	87,5	175
Voltage range (V)	580-1000	580-1000
Feed-in start voltage (V)	650	650
<b>Output data</b>		
Nominal power (kW)	50	100
Maximum power (kVA)	50	100
Nominal current (A)	76	152
Grid connection (V)	3~ NPE 400/230 V; 3~ NPE 380/220 V	3~ NPE 400/230 V; 3~ NPE 380/220 V
Frequency (Hz)	50	50
<b>General data</b>		
Dimensions (height x width x depth)	755 x 1109 x 346 mm (without wall mount)	755 x 1109 x 346 mm (without wall mount)
Weight	74 kg	103 kg
Degree of protection	IP 65	IP 65
Protection class	1	1
Ambient temperature range	- 40 to + 65 °C (*)	- 40 to + 65 °C (*)

(\*) Optional AC-disconnect mounted inside the inverter: from - 25 to + 65 °C

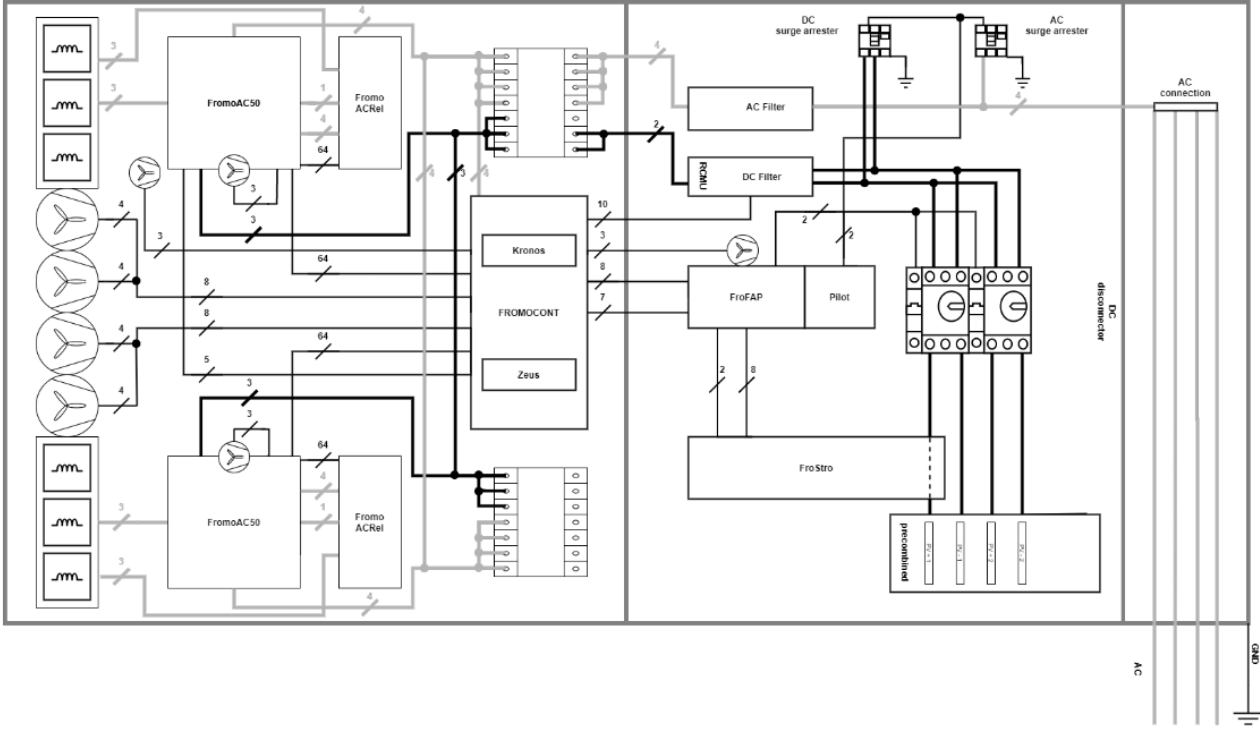
Model	Tauro Eco 50-3-D	Tauro Eco 100-3-D
<b>Input data</b>		
Maximum current (A)	87,5	175
Voltage range (V)	580-1000	580-1000
Feed-in start voltage (V)	650	650
<b>Output data</b>		
Nominal power (kW)	50	100
Maximum power (kVA)	50	100
Nominal current (A)	76	152
Grid connection (V)	3~ NPE 400/230 V; 3~ NPE 380/220 V	3~ NPE 400/230 V; 3~ NPE 380/220 V
Frequency (Hz)	50	50
<b>General data</b>		
Dimensions (height x width x depth)	755 x 1109 x 346 mm (without wall mount)	755 x 1109 x 346 mm (without wall mount)
Weight	74 kg	103 kg
Degree of protection	IP 65	IP 65
Protection class	1	1
Ambient temperature range	- 40 to + 65 °C (*)	- 40 to + 65 °C (*)

(\*) Optional AC-disconnect mounted inside the inverter: from - 25 to + 65 °C

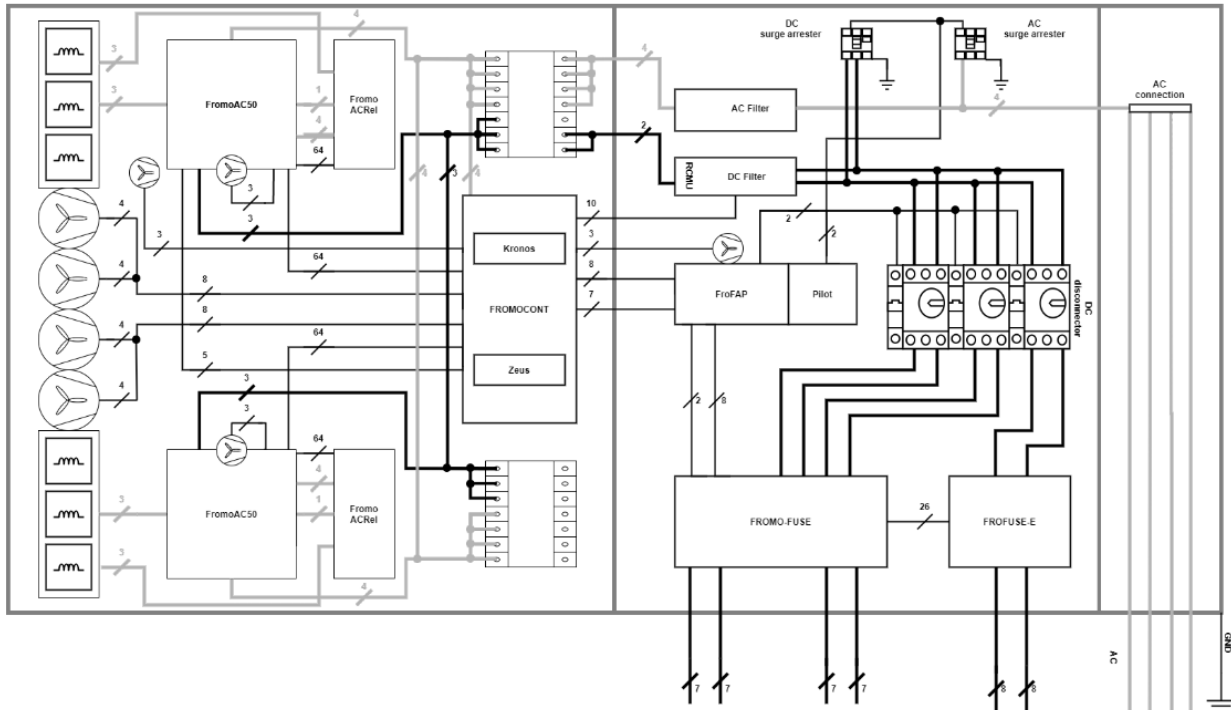
Model	Tauro Eco 99-3-D	Tauro Eco 99-3-D
<b>Input data</b>		
Maximum current (A)	175	175
Voltage range (V)	580-1000	580-1000
Feed-in start voltage (V)	650	650
<b>Output data</b>		
Nominal power (kW)	99	99
Maximum power (kVA)	99	99
Nominal current (A)	152	152
Grid connection (V)	3~ NPE 400/230 V; 3~ NPE 380/220 V	3~ NPE 400/230 V; 3~ NPE 380/220 V
Frequency (Hz)	50	50
<b>General data</b>		
Dimensions (height x width x depth)	755 x 1109 x 346 mm (without wall mount)	755 x 1109 x 346 mm (without wall mount)
Weight	101 kg	101 kg
Degree of protection	IP 65	IP 65
Protection class	1	1
Ambient temperature range	- 40 to + 65 °C (*)	- 40 to + 65 °C (*)

(\*) Optional AC-disconnect mounted inside the inverter: from - 25 to + 65 °C

Electrical Diagram of Tauro ECO P



Electrical Diagram of Tauro ECO D



The sample selected to test was representative of the production. The sample was selected in:

Fronius International GmbH  
Fronius Strasse 5, 4642, Sattledt, Upper Austria,  
Austria

Sample Report Number:

20788-TM

The inspection of manufacturing process was performed in:  
On March 29, 2021.

Fronius International GmbH  
Fronius Strasse 5, 4642, Sattledt, Upper Austria,  
Austria

Inspection Report Number:

20788-21-1-IF

### RECORD OF CHANGES

Revision	Modification / Changes	Date
0	Initial version	21/05/2021

